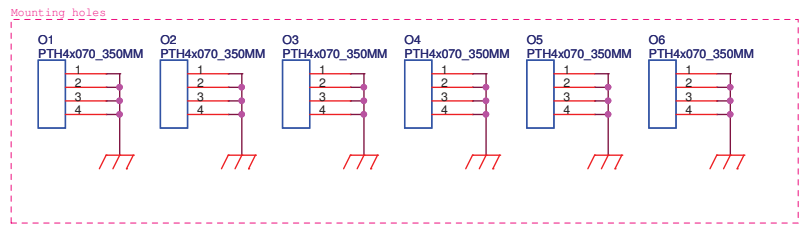
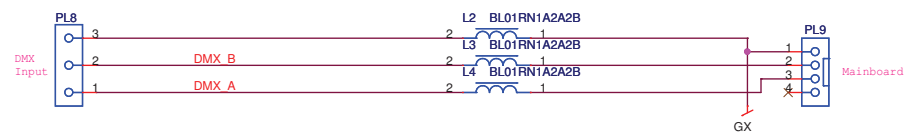
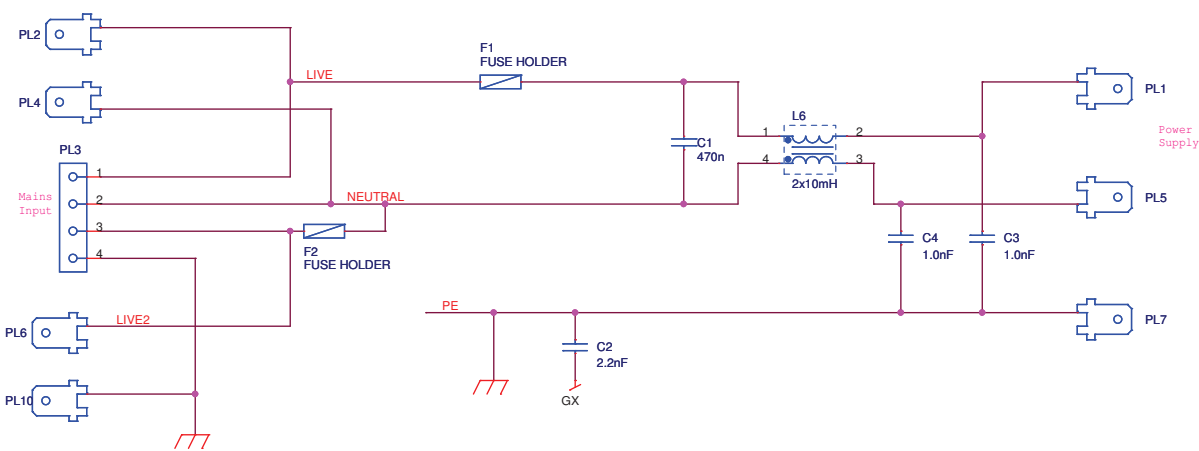


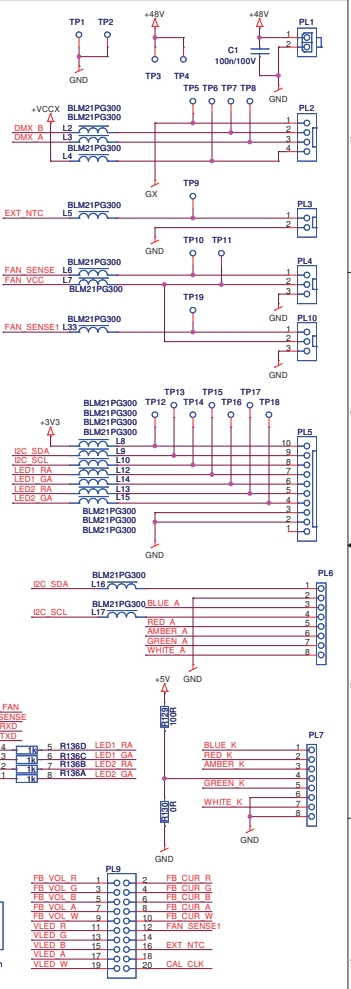
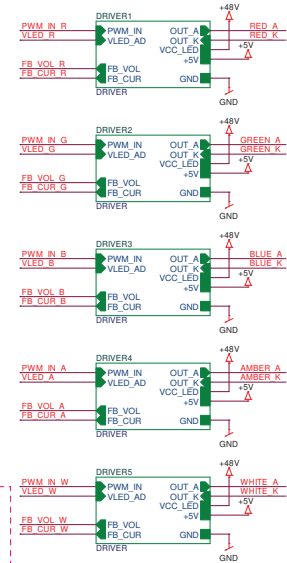
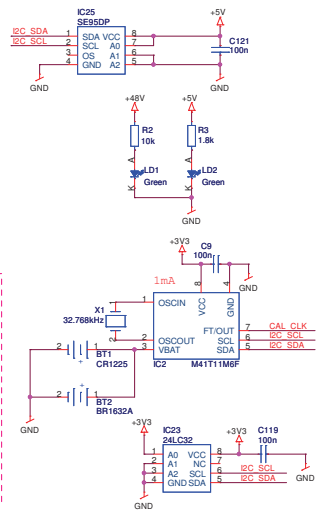
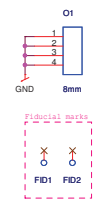
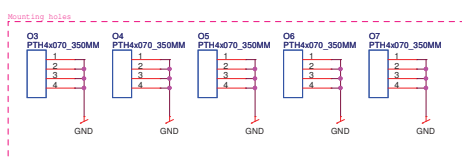
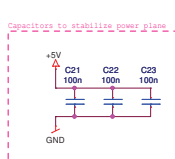
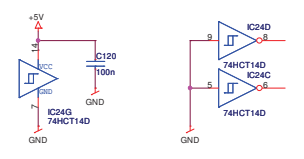
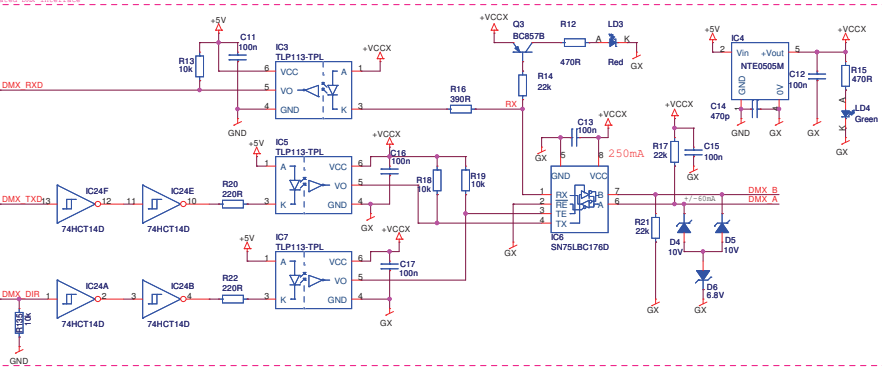
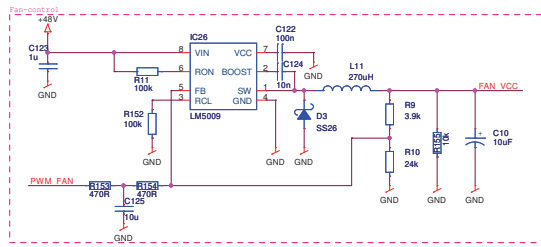
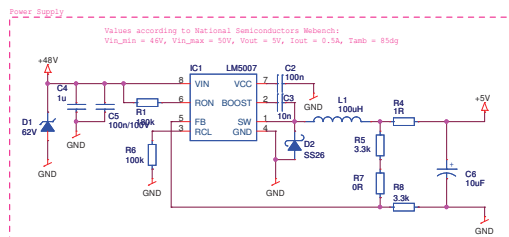
(Addr = 0x29):  
 Addr sel = R2 mount (Addr = 0x29)  
 Addr sel = Float (Addr = 0x39)  
 Addr sel = R1 mount (Addr = 0x49)

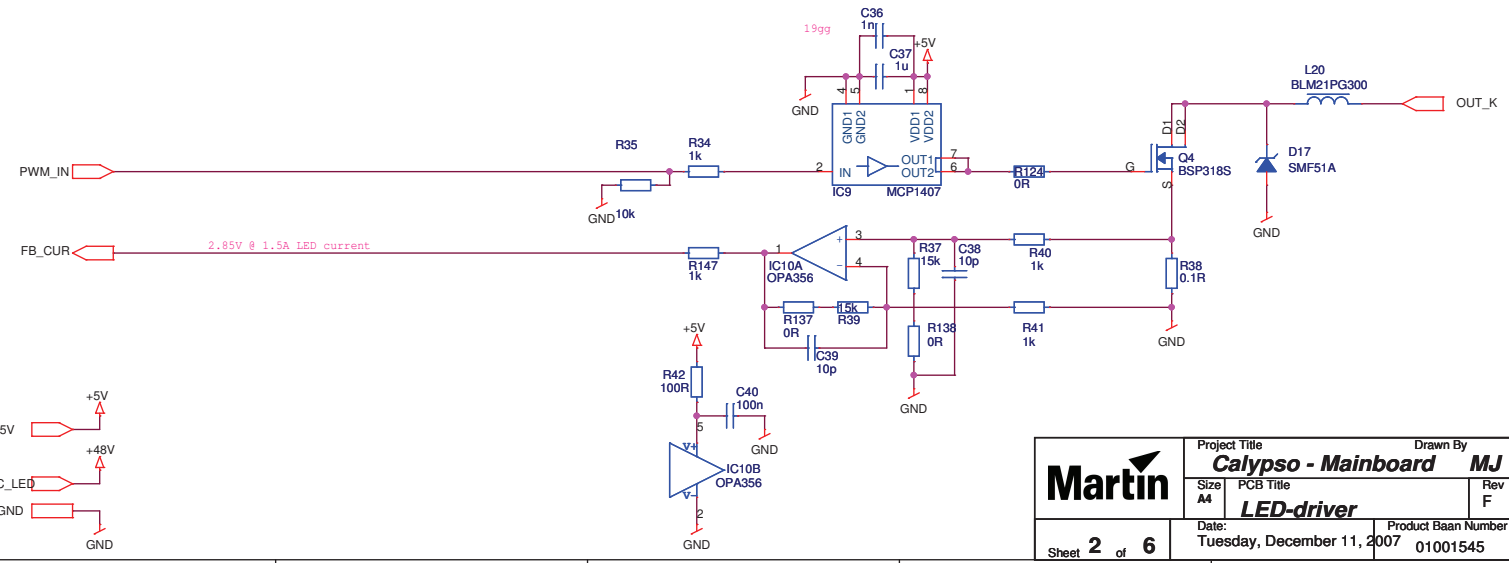
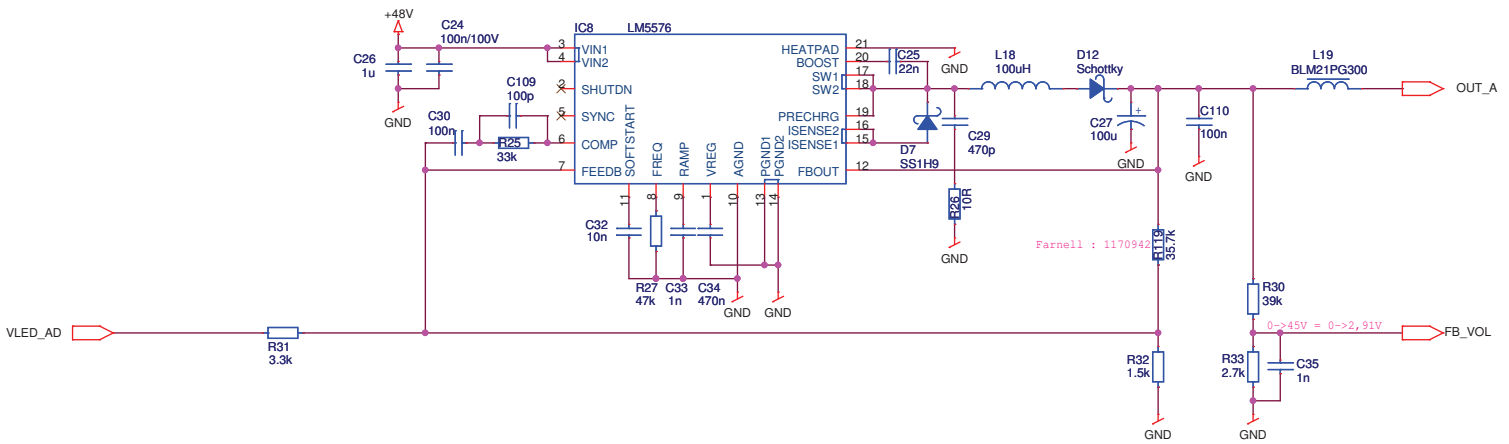
(Addr = 0x4B - 1001-011):  
 A0 = 1  
 A1 = 1  
 A2 = 0

		MARTIN PROFESSIONAL AS Otov Palmes Allé 18 DK-8200 Aarhus N DENMARK		
		Project Title <b>CALYPSO</b>		
PCB Title <b>Led &amp; Lightsensor</b>				
Size A4	Rev D	DATE OF THIS ISSUE: 20071008	INITIAL RELEASE: 20070618	Baan Number 62090183
PREP: RD_HS		CHKD: RD_MH	Sheet <b>1</b> of <b>1</b>	

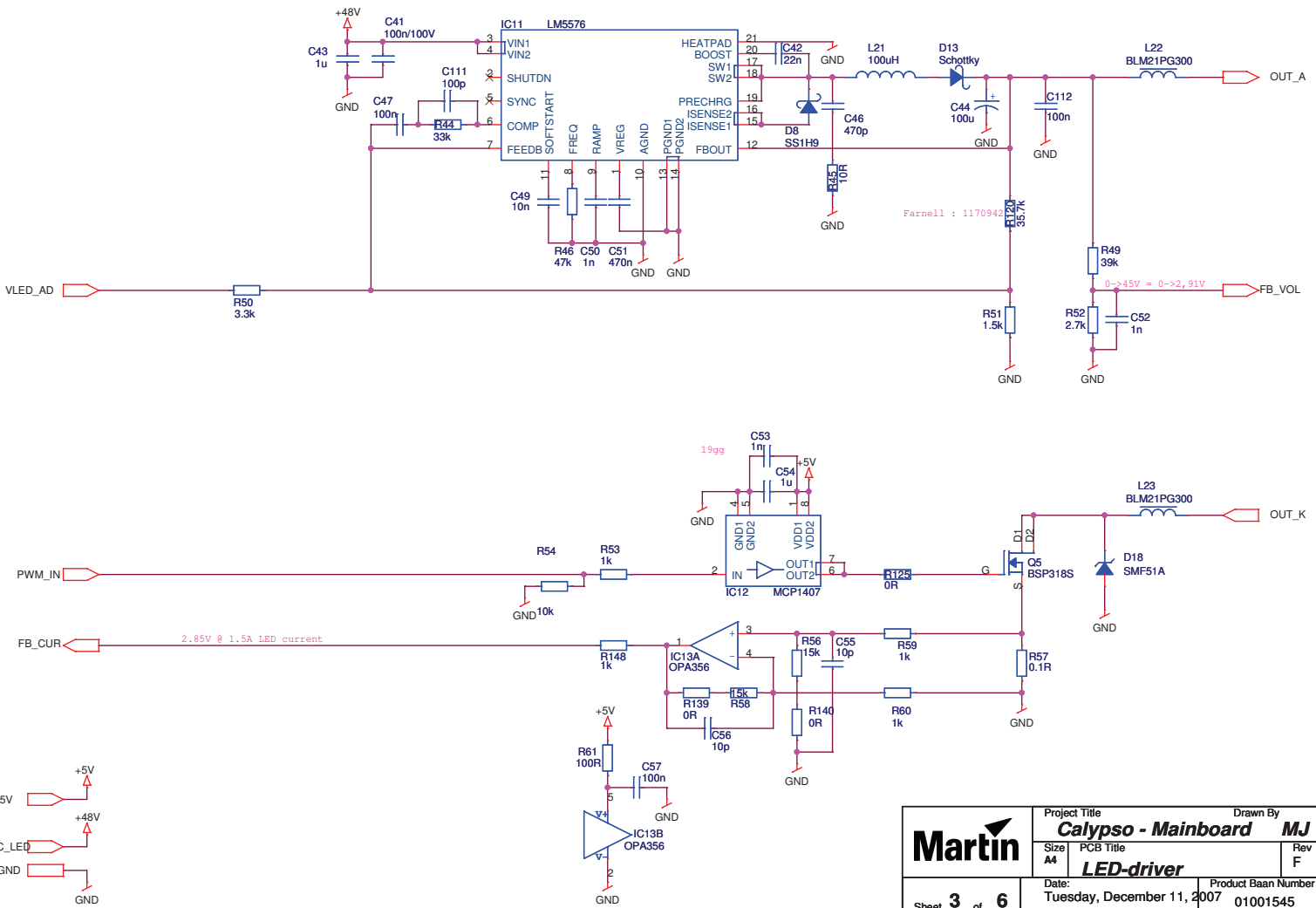


<b>Martin</b>	Project Title		Drawn By
	<b>Calypso - Mainsfilter</b>		<b>BH</b>
Size <b>A4</b>	PCB Title		Rev
	<b>Mainsfilter</b>		<b>F</b>
Date:	Product Baan Number		
Tuesday, November 27, 2007	01003510		
Sheet <b>1</b> of <b>1</b>			

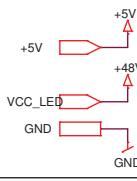
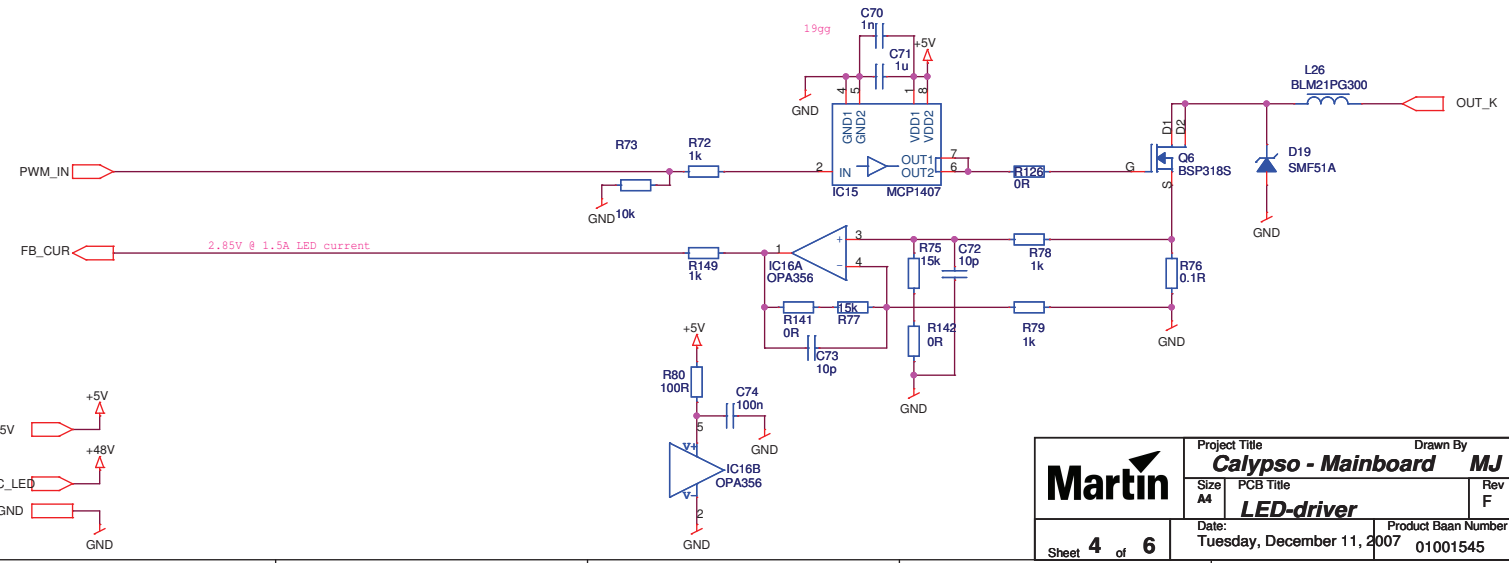
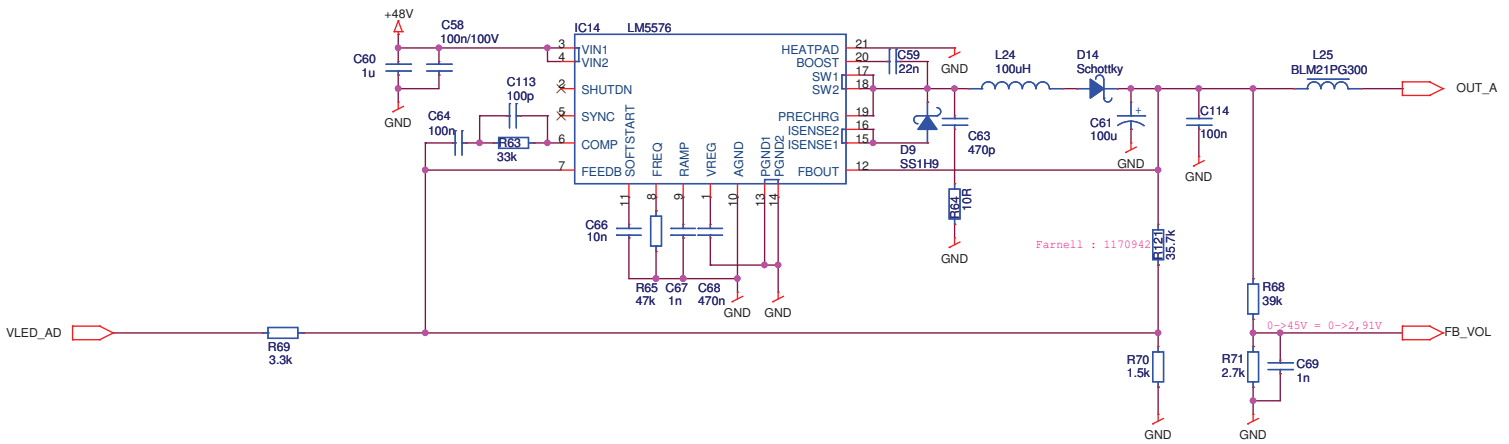




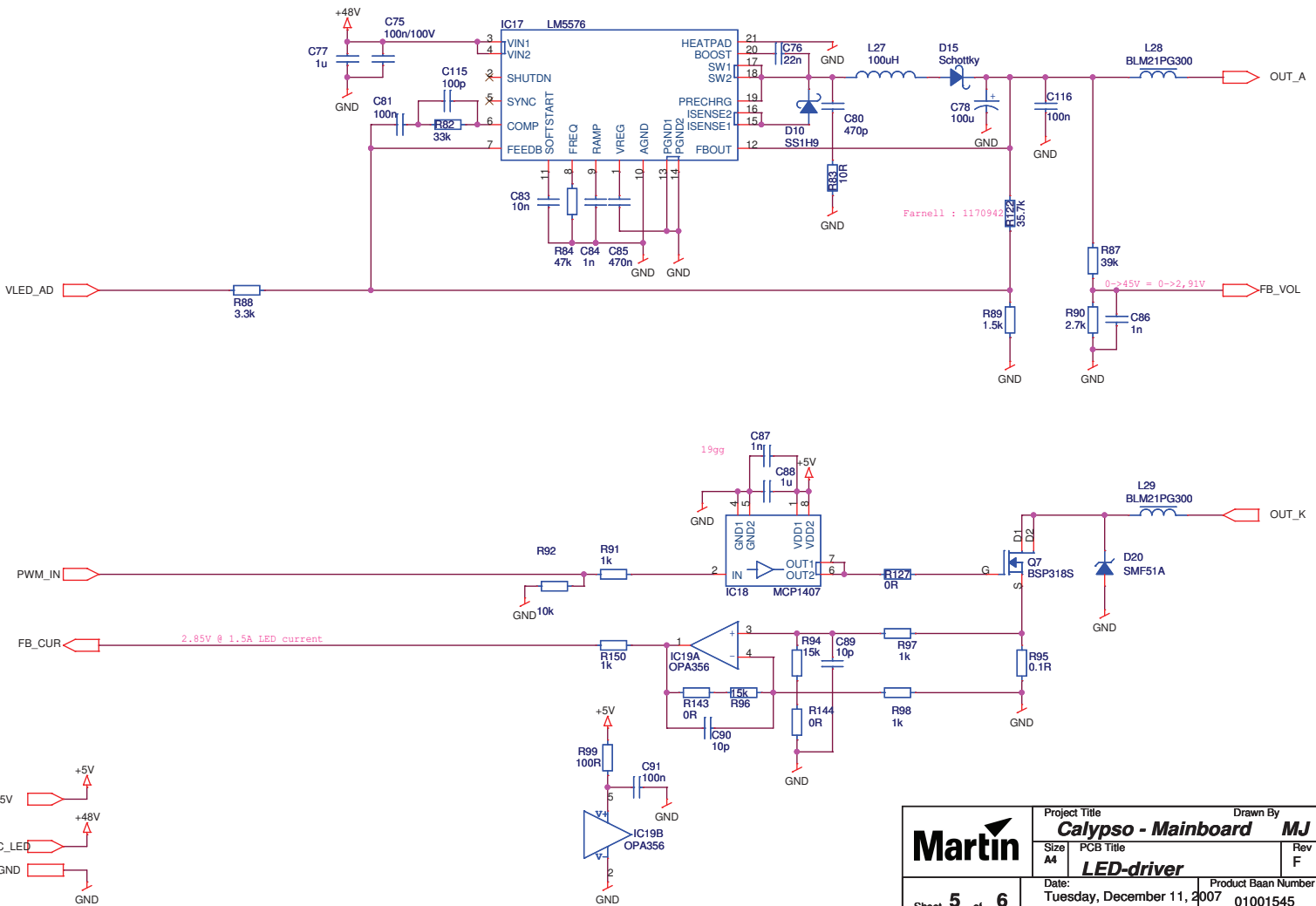
<b>Martin</b>	Project Title		Drawn By
	<b>Calypso - Mainboard</b>		<b>MJ</b>
	Size A4	PCB Title <b>LED-driver</b>	Rev F
Date: Tuesday, December 11, 2007		Product Baan Number 01001545	
Sheet <b>2</b> of <b>6</b>			



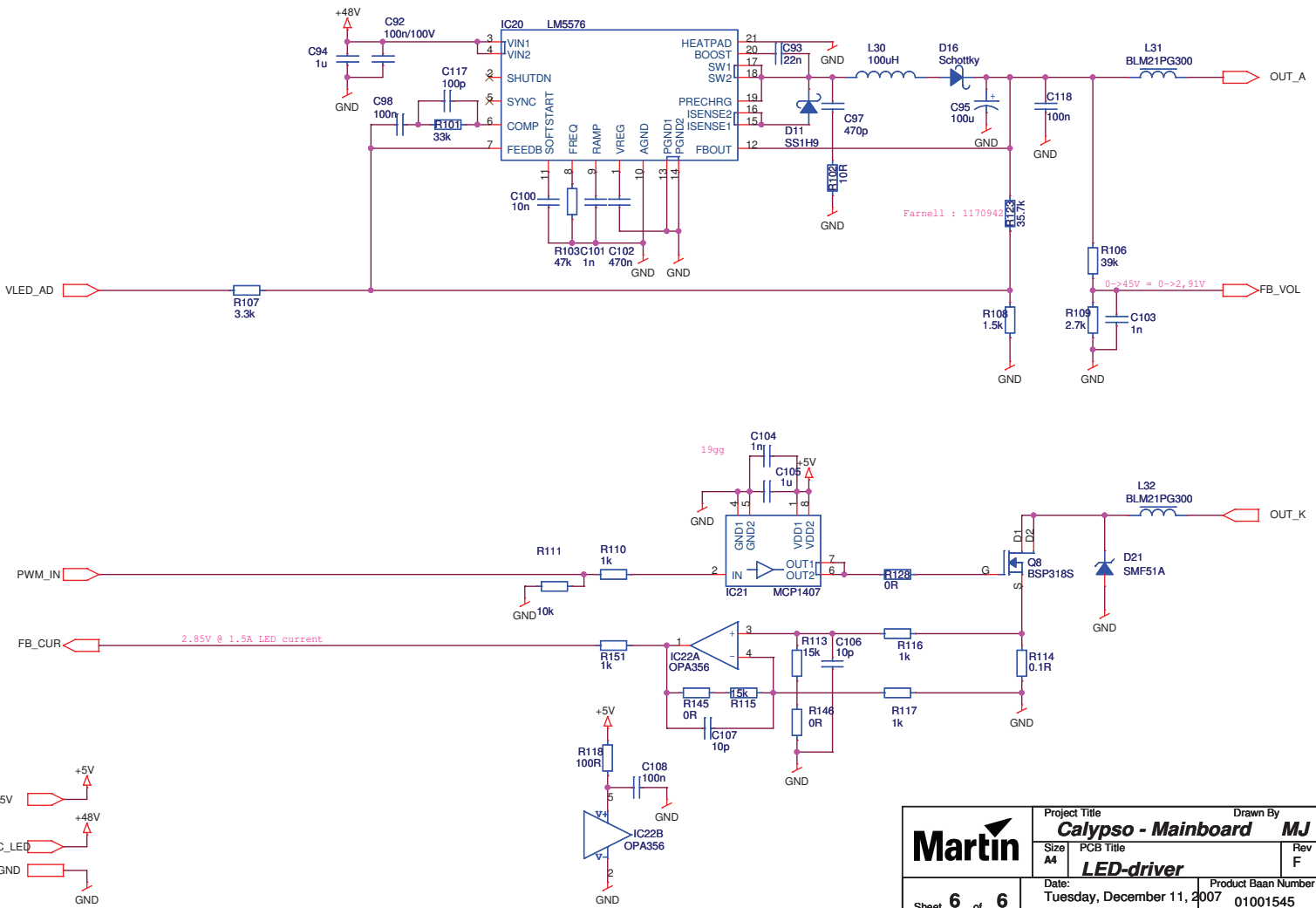
	Project Title		Drawn By
	<b>Calypso - Mainboard</b>		<b>MJ</b>
	Size	PCB Title	Rev
A4	<b>LED-driver</b>	F	
Date:		Product Baan Number	
Tuesday, December 11, 2007		01001545	
Sheet 3 of 6			



<b>Martin</b>	Project Title		Drawn By
	<b>Calypso - Mainboard</b>		<b>MJ</b>
	Size	PCB Title	Rev
A4	<b>LED-driver</b>	F	
Date:		Product Baan Number	
Tuesday, December 11, 2007		01001545	
Sheet <b>4</b> of <b>6</b>			



	Project Title		Drawn By
	<b>Calypso - Mainboard</b>		<b>MJ</b>
	Size A4	PCB Title <b>LED-driver</b>	
Date: Tuesday, December 11, 2007		Product Baan Number 01001545	
Sheet 5 of 6			



	Project Title		Drawn By
	<b>Calypso - Mainboard</b>		<b>MJ</b>
	Size A4	PCB Title <b>LED-driver</b>	Rev F
Date: Tuesday, December 11, 2007		Product Baan Number 01001545	
Sheet <b>6</b> of <b>6</b>			